

Table 1 Specifications - 2500 Series

	2510	2520	2530	2540
Accuracy	±5% full scale		±3% full scale	
Floats	Black Glass, 316 Stainless Steel		Stainless Steel	
Body	Clear Acrylic			
Seals	Buna-N O-rings with Brass fittings; Viton® O-rings with 303 Stainless Steel fittings			Buna-N O-rings w/Brass or PVC fittings Viton O-rings w/Stn Stl fittings
Pressure	100 PSIG Max.			
Temperature	150°F/65°C Max.			
Fittings	Brass, 303 Stainless Steel			PVC FNPT Pipe Connections (Std.)
Valves	Brass or Stainless Steel			Integral Valve on "V" models Inline Gate Valve is available for "S and I" models
Certifications	International Calibration Certificate (ICC); Pressure Equipment Directive (97/23/EC); RoHS			

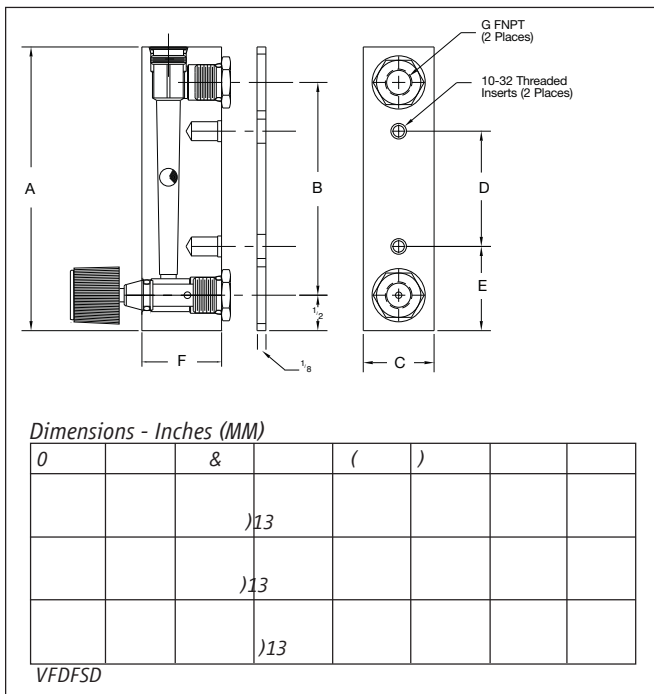


Figure 1 Dimensions - Model 2510, 2520 & 2530

5(05
,VV
DDVDSIVSFV

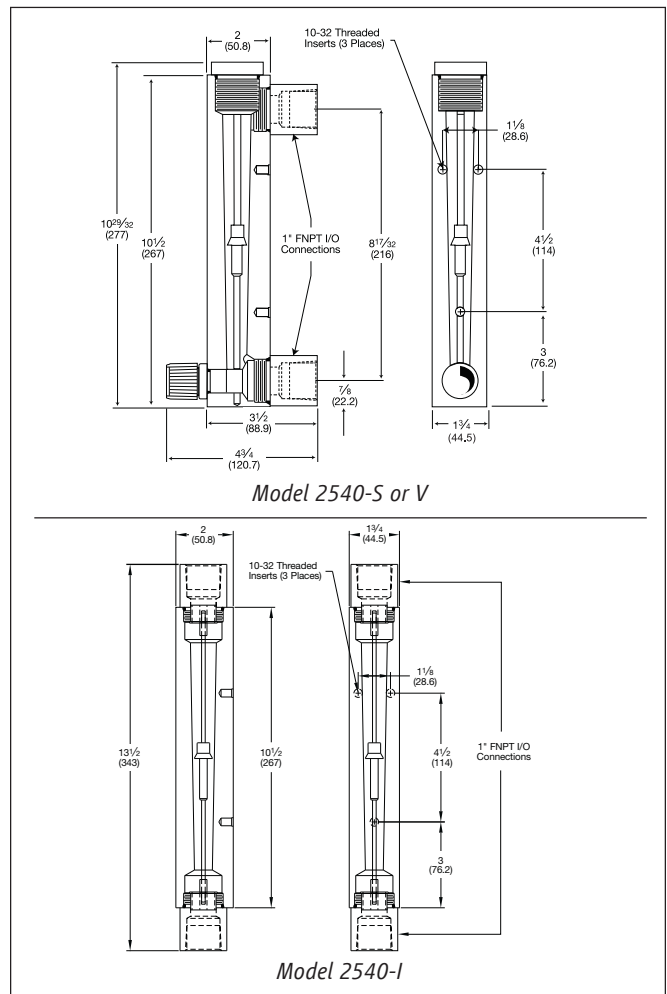


Figure 2 Dimensions - Model 2540

voice: 215-788-5523
fax: 215-788-2618
info@keyinstruments.com

A list of Key Instruments products and contact details can be found at: www.KeyInstruments.com

