

Read this page before proceeding!

⚠ WARNING

Do not operate this equipment in excess of the specifications listed on the meter. Failure to heed this warning can result in serious personal injury and/or damage to the equipment.

If the inlet and outlet valves adjacent to the flowmeter are to be closed for any reason, the flowmeter must be completely drained. Failure to do so may result in thermal expansion of the liquid which can cause rupture of the meter and possible personal injury.

⚠ CAUTION

Care must be taken in the system plumbing to this instrument to prevent sudden excessive pressure or flow surges. Protective devices should be installed upstream from this instrument, such as flow controllers, pressure regulators, pressure snubbers and rupture discs.

If this instrument contains electronic components it is susceptible to damage by static electricity. Proper handling procedures must be observed during this removal, installation or other handling of the circuit boards or devices.

If this instrument contains electronic components consult the complete instruction manual for proper wiring.

2

Visit us online at www.KeyInstruments.com

Key Instruments

500 Coventry Lane
Croydon, PA 19021

voice: 215-788-5523

fax: 215-788-2618

Email: sales@keyinstruments.com

"Key Instruments" is a trademark of Key Instruments company.

© Copyright 2022 Key Instruments. All rights reserved.
Printed in USA.

www.KeyInstruments.com



Dear Customer:

Thank you for your purchase. We appreciate the opportunity to service your flow measurement and control needs with a Key Instruments device. Key Instrument's award-winning meters and controllers consistently rank at the top of their category for accuracy, reliability, and user preference, as judged by the audience that matters - real users of flow instrumentation, like you.

But Key Instruments' products are only half the story. You are backed by Key Instruments' unsurpassed local technical expertise in virtually every corner of the planet. Your local Key Instruments product and application specialist is truly your "partner in flow." They have extensively trained to help you select the optimal solutions for your flow measurement or control needs and offer years of experience solving application problems just like yours.

Should you require any additional information concerning Key Instruments' products and services, please contact Key Instruments at the address, email, and phone number listed in this guide.

Sincerely,
Key Instruments

This Quick Start Guide applies to the following Key Instruments products: 2500 Series. In an effort to be more eco-friendly, Key Instruments is no longer supplying printed instruction manuals with the product shipments to reduce our paper consumption.

For your product's complete instruction manual, please download it www.KeyInstruments.com

3

Quick Start Guide

Low Flow Glass and Plastic Tube (Purgemeters)

Variable Area Purgemeters



2001



2510

www.KeyInstruments.com



Installation (See Figure 1)

- The flowmeter should be mounted within 6° of true vertical.
- The inlet connection to the flowmeter is in the bottom end fitting.
- Be sure the piping is adequately supported to prevent undue strain on the meter.

Pressure Equipment Directive (97/23/EC)

Note: Equipment falls under Sound Engineering Practice (SEP) according to the directive.

4

Installation

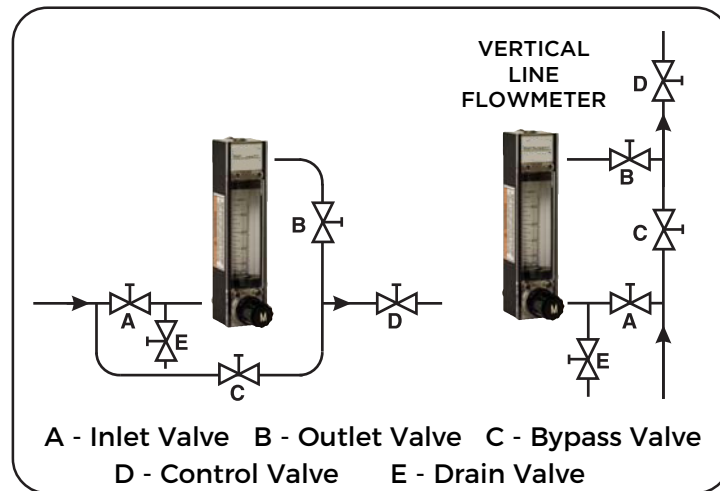


Figure 1 Typical Flowmeter Installation

It is recommended that a final leak test of the system plumbing and the meter be performed before subjecting it to the process fluid.

5

After the flowmeter has been installed in the flow system, it is ready for operation. An optional built-in needle control valve may be provided to control the flow through the flowmeter. These control valves are designed for control. Excessive tightening may damage the valve seat and limit its effectiveness as a control valve. If tight shut-off is required, it is recommended that a separate shut-off valve is installed in the process line immediately before the flowmeter.

Flow indication is measured using the center of the spherical float as the reference point.

This Quick Start Guide applies to the following Key Instruments products:

- 2500 Series

In an effort to be more eco-friendly, Key Instruments is no longer supplying printed instruction manuals with the product shipments to reduce our paper consumption.

For your product's complete instruction manual, please download it at www.KeyInstruments.com.

6

Equipment Receipt and Return Procedures

Receipt of Equipment

If the packing case is damaged, the local carrier should be notified at once regarding their liability. Carefully remove the equipment from the packing case and inspect for damage or missing parts. If damaged, please contact Key Instruments.

Return Shipment:

Please note that prior to returning any instrument to the factory Key Instruments requires the completion of Form RPR003-1, a Key Instruments Decontamination Statement, as well as a Materials Safety Data Sheet (MSDS) for fluid(s) used in the instrument. Copies of these forms can be found online at www.KeyInstruments.com along with complete details on how to process your return shipment or you can contact your nearest Key Instruments location for the necessary forms and instruction.

7